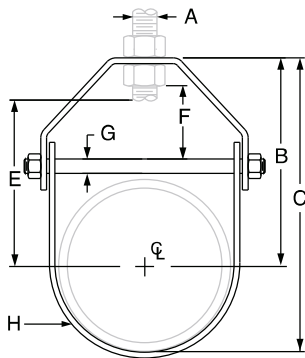




2 1/2" thru 8"



CLEVIS HANGER

Standard Duty Model 4100

SIZE:

Standard Duty: 1/2" thru 24"

FINISH:

Plain

FUNCTION:

Allows vertical adjustment of pipe after installation

FEATURES:

- Maximum temperature Plain 650° F, Galvanized 450° F
- Conforms with Federal Specification WW-H-171 (Type 1), Manufacturers Standardization Society (MSS) SP-69 (Type 1)
- When using an oversize clevis, it is recommended to install a full-width spacer on the cross bolt to prevent failure due to disfiguring the U-strap
- When using insulated pipe, order hanger sized to correspond to overall dimension. It is also recommended to use insulation shields

Clevis Hanger: Loads (LBS) • Weights (LBS) • Dimensions (IN)

ITEM CODE 4000	ITEM CODE 4100	SIZE	MAX LOAD	WEIGHT	A ROD SIZE	B	C	E ROD TAKE OUT	F ADJUSTMENT	G	H WIDTH LOWER
4000-0050EG	4100-0050P	1/2	610	0.31	3/8	1 5/8	2 1/8	1 1/2	5/8	1/4	1
4000-0075EG	4100-0075P	3/4	610	0.33	3/8	1 3/4	2 3/8	1 5/16	5/8	1/4	1
4000-0100EG	4100-0100P	1	610	0.34	3/8	2 1/16	2 3/4	1 5/8	5/8	1/4	3/4
4000-0125EG	4100-0125P	1 1/4	610	0.41	3/8	2 3/8	3 5/16	1 11/16	5/8	1/4	1
4000-0150EG	4100-0150P	1 1/2	610	0.43	3/8	2 15/16	3 15/16	2 1/8	7/8	1/4	1
4000-0200EG	4100-0200P	2	610	0.53	3/8	3 1/4	4 1/2	2 5/8	1 1/8	1/4	1
4000-0250EG	4100-0250P	2 1/2	1130	0.74	1/2	3 3/4	5 1/4	3 3/16	1 5/16	3/8	1
4000-0300EG	4100-0300P	3	1130	0.99	1/2	4 1/8	6	4 1/16	1 5/8	3/8	1
4000-0350EG	4100-0350P	3 1/2	1130	0.91	1/2	4 7/16	6 1/2	4 3/16	1 13/16	3/8	1 1/4
4000-0400EG	4100-0400P	4	1130	1.43	5/8	5 3/8	7 3/4	4 1/2	1 11/16	3/8	1 1/4
4000-0500EG	4100-0500P	5	1430	1.62	5/8	6 13/16	9 3/4	5 1/2	1 15/16	3/8	1 3/16
4000-0600EG	4100-0600P	6	1940	3.26	3/4	8 1/4	11 3/4	5 3/4	1 11/16	1/2	1 7/16
4000-0800EG	4100-0800P	8	2000	4.39	3/4	9 1/2	14	7 3/16	2	1/2	1 7/16
4000-1000EG	4100-1000P	10	3600	8.64	7/8	10 7/8	16 1/2	8 7/16	2 1/8	5/8	1 3/4
4000-1200EG	4100-1200P	12	3800	11.32	7/8	12	18 5/8	10 1/8	2 13/16	5/8	2
4000-1400EG	4100-1400P	14	4200	15.05	1	14 1/2	21 3/4	10 11/16	2 11/16	3/4	2
4000-1600EG	4100-1600P	16	4600	21.00	1	15 3/4	23 3/4	12	2 3/4	1	2 1/2
4000-1800EG	4100-1800P	18	4800	25.00	1 1/8	16 1/2	25 1/2	13 5/16	3 1/2	1	2 1/2
4000-2000EG	4100-2000P	20	4800	42.50	1 1/4	18	28	16 1/8	4 1/8	1 1/4	3
4000-2400EG	4100-2400P	24	4800	43.50	1 1/4	20 1/4	32 1/4	18 3/8	4 3/4	1 1/4	3