

H-BLOCK SPECIAL FEATURES



- 100% Recycled Rubber
- LEED Certifiable
- Meets the Buy America Act
- American Reinvestment Recovery Act (A.R.R.A.)
- Independent Laboratory Tested
- Resistance to Freeze and Thaw
- No Deteriorations
- All 4 Corners coated with high visibility safety orange for maximum visibility
- Dampens Vibrations
- Compatible with most rooftop materials

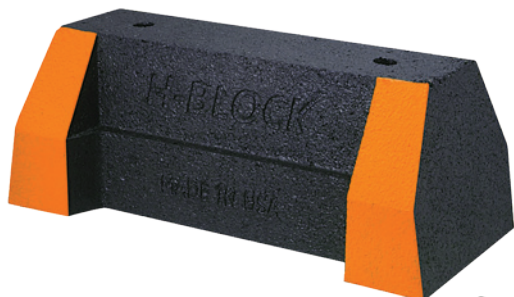


Our product line has systems to support all of the following applications:

- Solar Racking
- Pipe & Conduit supports
- Duct supports
- HVAC supports
- Cable Tray Systems
- Air Conditioning supports
- Roof Walkway supports

The channel for H-Block support assemblies includes a variety of options. The strut can be made in special lengths, finishes, and alloys including Aluminum, Stainless Steel both 304 & 316, PVC coated, Powder coated, Zinc Trivalent Chromium, Pre-Galvanized and Hot Dipped Galvanized.

HBS-BASE SERIES



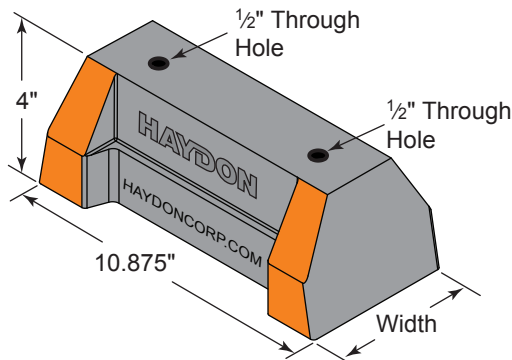
The HBS-Base Series is UV resistant and suitable for installation on most types of roofing material or other flat surfaces. Can be used as a curb (sleeper) replacement. Screw fasteners can be used to attach one or two hole pipe straps or a piece of strut (not included).

Specifications – H-Block Support

MATERIAL - 100% recycled rubber, UV resistant



Base Area
Shown = 33.1 Sq. In.
For use in bearing calculations



HBS-Base Series

Model No.	Height	Width	Base Length	Weight	Uniform Load Capacity (Lbs) *
HBS-Standard-Base Only	4" (101mm)	5" (127mm)	10-7/8" (276mm)	4.80 lbs.	2,500 *

* This load is only for the capacity of the components in this assembly. Please consult roofing manufacturer or engineer for roof load capacity