



HBS-CB BRIDGE SERIES



Like all of the H-Block supports, the HBS-CB-Bridge Series is perfect for supporting gas and refrigeration piping systems, cable tray, electrical conduit, multiple lines, HVAC equipment and many other applications.

The HBS-CB Series provides a longer mounting surface with strut lengths up to 60"

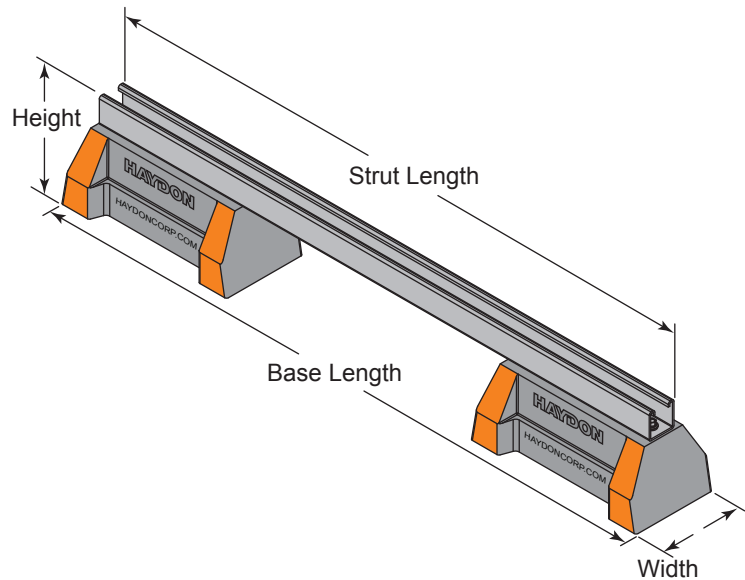
The HBS-CB-Bridge Series is UV resistant and suitable for installation on most types of roofing material or other flat surfaces.

Roof supports come pre-assembled

Specifications – HBS-CB Series

Base - Bridge style support with two H-Block Bases & 1⁵/₈" Galv. H-132 Steel Channel

MATERIAL - 100% recycled rubber, UV resistant



HBS-CB-Bridge Series - Bridge Length Supports With 2 HBS Bases and Channel

Model No.	Height	Width	Strut Length	Base Length	Weight (Lbs)	Uniform Load Capacity (Lbs) *
HBS-CB10-28-H-132-PG	5 ⁵ / ₈ " (143mm)	5" (127mm)	28" (711mm)	29- ³ / ₄ " (756mm)	13.96	1,491 *
HBS-CB10-36-H-132-PG			36" (914mm)	37- ³ / ₄ " (959mm)	15.18	1,160 *
HBS-CB10-42-H-132-PG			42" (1067mm)	43- ³ / ₄ " (1111mm)	16.09	994 *
HBS-CB10-50-H-132-PG			50" (1270mm)	51- ³ / ₄ " (1314mm)	17.31	835 *
HBS-CB10-60-H-132-PG			60" (1524mm)	61- ³ / ₄ " (1568mm)	18.84	696 *

* This load is only for the capacity of the components in this assembly. Please consult roofing manufacturer or engineer for roof load capacity