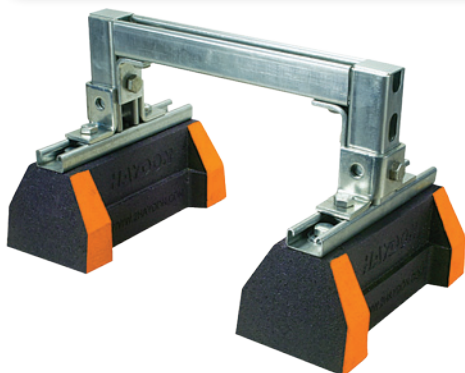
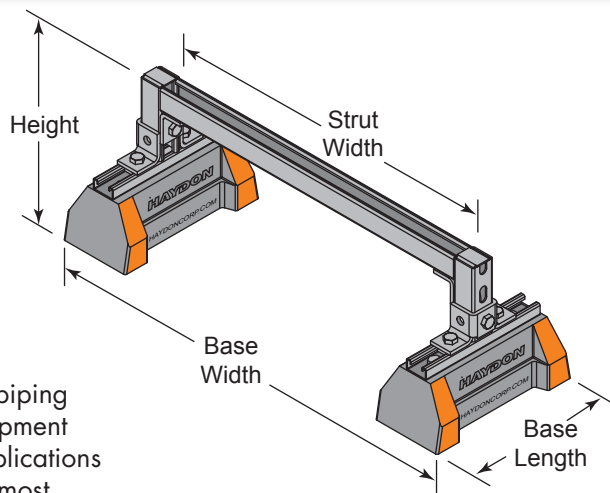


HBS-CES SERIES



The HBS-CES-Medium Series can support gas and refrigeration piping systems, cable tray, electrical conduit, multiple lines, HVAC equipment and many other applications. They are designed for rooftop applications requiring a heavier load bearing capacity, and are suitable for most types of roofing material or other flat surfaces.



Raised Bridge Length With 2 HBS Bases 1⁵/₈" H-132 Pre-Galv Steel Channel

Model No.	Height	Base Width	Strut Width	Base Length	Weight (Lbs)	Uniform Load Capacity (Lbs) *
HBS-CES-10-12-H-132-PG	10" (254mm)	18- ⁵ / ₈ " (473mm)	12" (305mm)	10- ⁷ / ₈ " (276mm)	19.35	3,000 *
HBS-CES-10-24-H-132-PG		30- ⁵ / ₈ " (763mm)	24" (610mm)		21.05	1,500 *

* This load is only for the capacity of the components in this assembly. Please consult roofing manufacturer or engineer for roof load capacity

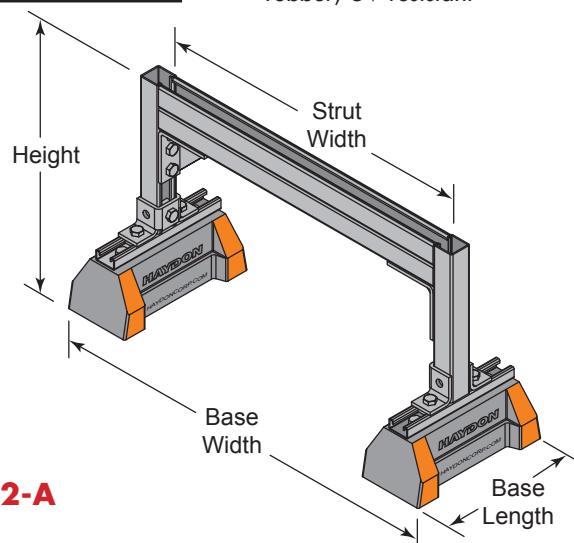
Specifications – HBS-CES Series

Two H-Block bases with
1⁵/₈" H-132 Strut, or
3¹/₄" H-132-A
back-to-back Strut

MATERIAL - 100% recycled rubber, UV resistant



The HBS-CES-Heavy Series is designed for rooftop applications requiring a heavier load bearing capacity. It is suitable for most types of roofing material or other flat surfaces.



Raised Bridge Length With 2 HBS Bases 3¹/₄" H-132-A Back-to-Back Pre-Galv Steel Channel

Model No.	Height	Base Width	Strut Width	Base Length	Weight (Lbs)	Uniform Load Capacity (Lbs) *
HBS-CES-16-24-H-132-A-PG	16" (406mm)	30- ⁵ / ₈ " (763mm)	24" (610mm)	10- ⁷ / ₈ " (276mm)	30.62	3,500 *
HBS-CES-16-36-H-132-A-PG		42- ⁵ / ₈ " (1067mm)	36" (914mm)		32.96	3,250 *

* This load is only for the capacity of the components in this assembly. Please consult roofing manufacturer or engineer for roof load capacity