

HBS-CE EXTENSION SERIES



HBS-CE-Extension Series is perfect for supporting gas and refrigeration piping systems, cable tray, electrical conduit, multiple lines, HVAC equipment and many other applications.

The HBS-CE-Extension is UV resistant and suitable for installation on most types of roofing material or other flat surfaces.

Roof supports come pre-assembled

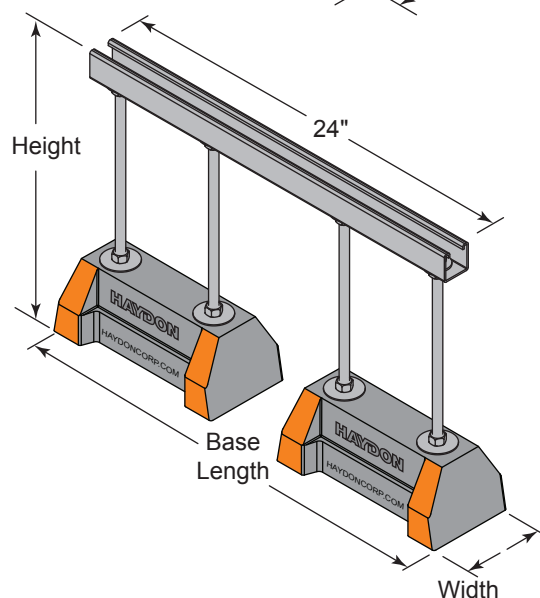
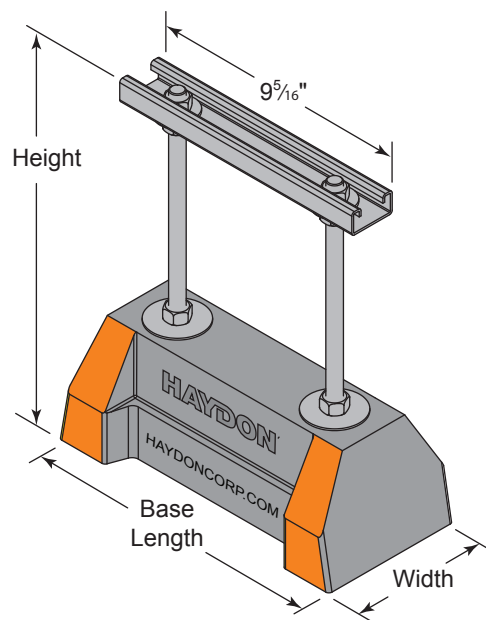
Specifications – HBS-CE

Two H-Block Bases and Threaded Rod Riser with:

1 $1\frac{3}{16}$ " H-164 Channel, or

1 $1\frac{5}{8}$ " H-132 Channel

MATERIAL - 100% recycled rubber,
UV resistant



HBS-CE-Extension Series Support With Threaded Rod Extension and Channel

Model No.	Height	Width	Strut Length	Strut Size	Base Length	Weight (Lbs)	Uniform Load Capacity (Lbs) *
HBS-CE10-8-H-164-PG	8" (203mm)	5" (127mm)	9.312" (237mm)	$1\frac{3}{16}$ " H-164	$10\frac{7}{8}$ " (276mm)	6.89	1,000 *
HBS-CE10-12-H-164-PG	12" (305mm)					7.34	1,000 *
HBS-CE24-16-H-132-PG	16" (406mm)		24.000" (610mm)	$1\frac{5}{8}$ " H-132	26" (660mm)	15.85	2,000 *

* This load is only for the capacity of the components in this assembly.
Please consult roofing manufacturer or engineer for roof load capacity