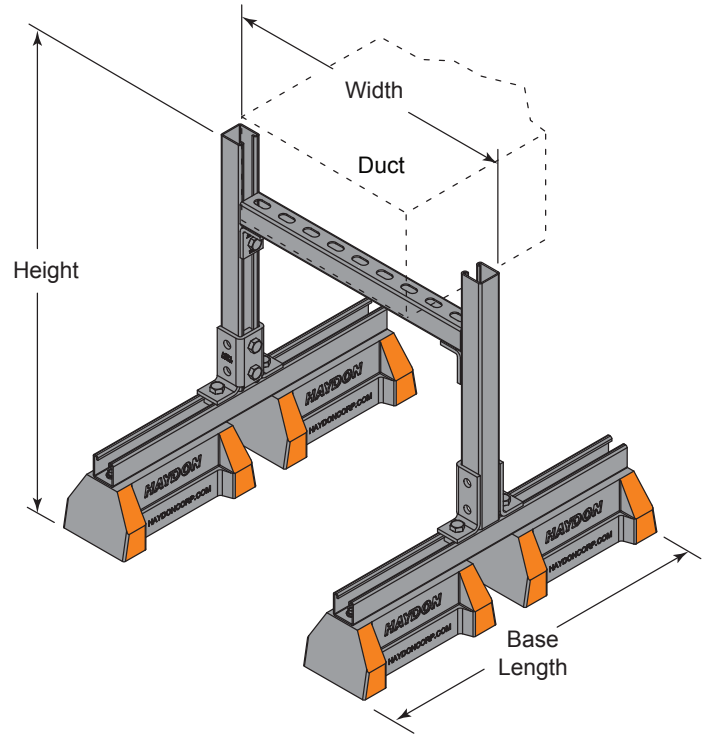




HBS-DSFW FIXED WIDTH DUCT SUPPORT



The HBS-DSFW Series is designed specifically for supporting duct work.



Specifications – HBS-DSFW

Fixed Width & Height.

All hardware required for assembly is included.

BASE MATERIAL - 100% recycled rubber, UV resistant

Crossbeams - 1⁵/₈" H-132-RS3 Channel

HBS-DS Duct Support Series With Fixed Width And Adjustable Height

Model No.	Height	Width	Base Length	No. of Bases	Weight (Lbs)	Uniform Load Capacity (Lbs) *
HBS-DS2FW-23-18-H-132-PG	23" (584mm)	18" (457mm)	24" (610mm)	4	39.80	2042 *
HBS-DS2FW-23-24-H-132-PG		24" (610mm)			40.67	1531 *
HBS-DS2FW-23-36-H-132-PG		36" (914mm)			42.33	1021 *
HBS-DS2FW-23-48-H-132-PG		48" (1219mm)			43.99	766 *
HBS-DS2FW-29-18-H-132-PG	29" (737mm)	18" (457mm)	24" (610mm)	4	41.58	2042 *
HBS-DS2FW-29-24-H-132-PG		24" (610mm)			42.41	1531 *
HBS-DS2FW-29-36-H-132-PG		36" (914mm)			44.08	1021 *
HBS-DS2FW-29-48-H-132-PG		48" (1219mm)			45.74	766 *
HBS-DS2FW-41-18-H-132-PG	41" (1041mm)	18" (457mm)	24" (610mm)	4	45.07	2042 *
HBS-DS2FW-41-24-H-132-PG		24" (610mm)			45.90	1531 *
HBS-DS2FW-41-36-H-132-PG		36" (914mm)			47.56	1021 *
HBS-DS2FW-41-48-H-132-PG		48" (1219mm)			49.22	766 *
HBS-DS3FW-53-18-H-132-PG	53" (1346mm)	18" (457mm)	36" (914mm)	6	62.23	2042 *
HBS-DS3FW-53-24-H-132-PG		24" (610mm)			63.06	1531 *
HBS-DS3FW-53-36-H-132-PG		36" (914mm)			64.72	1021 *
HBS-DS3FW-53-48-H-132-PG		48" (1219mm)			66.38	766 *

* This load is only for the capacity of the components in this assembly. Please consult roofing manufacturer or engineer for roof load capacity