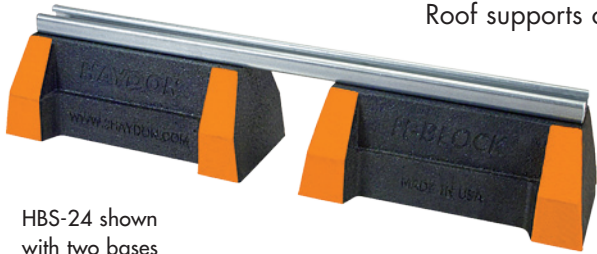




HBS SERIES



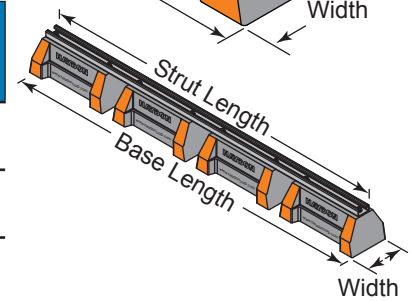
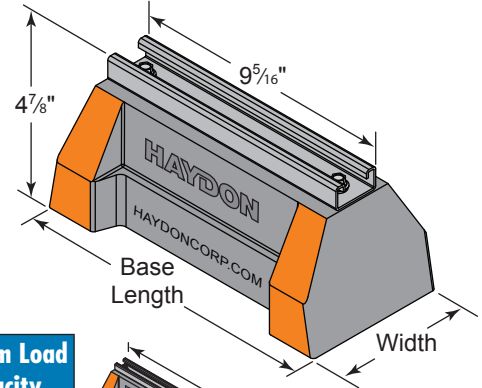
HBS-24 shown with two bases

Like all of the H-Block supports, the HBS Series is perfect for supporting gas and refrigeration piping systems, cable tray, electrical conduit, multiple lines, HVAC equipment and many other applications.

The HBS Series provides a longer mounting surface with strut lengths up to 46³/₈" Standard strut mount pipe clamps are used to secure the pipes. (See page 12).

The HBS Series is suitable for installation on most types of roofing material or other flat surfaces.

Roof supports come pre-assembled



HBS-Support With 1³/₁₆" H-164 Pre-Galv. Steel Channel

Model No.	Height	Width	No. of Bases Required	Strut Length	Base Length	Weight (Lbs)	Uniform Load Capacity (Lbs) *
HBS-10-H-164-PG	4 ⁷ / ₈ " (124mm)	5" (127mm)	1	9.312" (237mm)	10 ⁻⁷ / ₈ " (276mm)	5.62	2,500 *
HBS-24-H-164-PG			2	22.375" (568mm)	24" (610mm)	11.56	5,000 *
HBS-36-H-164-PG			3	34.375" (873mm)	36" (914mm)	17.41	7,500 *
HBS-48-H-164-PG			4	46.375" (1178mm)	48" (1219mm)	23.25	10,000 *

* This load is only for the capacity of the components in this assembly. Please consult roofing manufacturer or engineer for roof load capacity

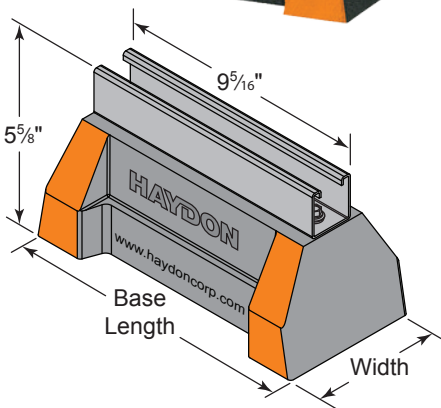
Specifications – HBS Series

H-Block Support with:

1³/₁₆" H-164 Channel, or

1⁵/₈" H-132 Channel

MATERIAL - 100% recycled rubber, UV resistant



HBS-Support With 1⁵/₈" H-132 Pre-Galv. Steel Channel

Model No.	Height	Width	No. of Bases Required	Strut Length	Base Length	Weight (Lbs)	Uniform Load Capacity (Lbs) *
HBS-10-H-132-PG	5 ⁻⁵ / ₈ " (143mm)	5" (127mm)	1	9.312" (237mm)	10 ⁻⁷ / ₈ " (276mm)	6.26	2,500 *
HBS-24-H-132-PG			2	22.375" (568mm)	24" (610mm)	13.10	5,000 *
HBS-36-H-132-PG			3	34.375" (873mm)	36" (914mm)	19.77	7,500 *
HBS-48-H-132-PG			4	46.375" (1178mm)	48" (1219mm)	26.44	10,000 *

* This load is only for the capacity of the components in this assembly. Please consult roofing manufacturer or engineer for roof load capacity