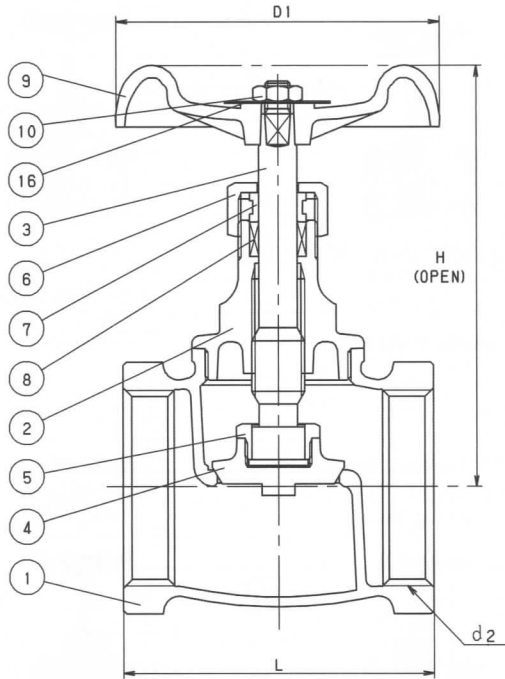


GLOBE

CLASS 100 BRONZE

Screw-In-Bonnet • Inside Screw • Rising Stem
Integral Seat • Solid Wedge Disc

CODE # 01 (AKA) THREADED



STANDARDS

END TO END	KITZ
THREADED ENDS	ANSI B1.20.1
DESIGN	KITZ

PRESSURE/TEMPERATURE

100 PSI - SATURATED STEAM TO 338°F
- FLUID TO 406°F
150 PSI NON-SHOCK COLD WATER, OIL OR GAS

MATERIAL LIST

NO.	NAME OF PART	SPECIFICATION
1	BODY	CAST BRONZE (ASTM B584, C84400)
2	BONNET (1/4 ~ 3) (4)	FORGED BRASS (B283, C37700) CAST BRONZE (B584, C84400)
3	STEM	SPECIAL BRASS (1)
4	DISC	CAST BRONZE (B584, C84400)
5	LOCK NUT	FORGED BRASS (B124, C37700)
6	PACKING NUT	FORGED BRASS (B283, C37700)
7	GLAND	BRASS ROD (B16)
8	GLAND PACKING	ARAMID FIBERS W/ GRAPHITE
9	HAND WHEEL (1/4 ~ 3) (4)	ZINC DIE-CAST (B86) CAST IRON
10	WHEEL NUT	CARBON STEEL
16	NAME PLATE	ALUMINUM

NOTE: (1) Proprietary Dezincification Resistant Material

DIMENSIONS • WEIGHTS • QUANTITIES

	d2	H	D1	L	APPROX. NET WT.	CARTON QTY
	SIZE					
in.	1/4	2.6	1.97	1.57	45	100
mm.		66.0	50.0	39.9	20.5	
in.	3/8	2.64	1.97	1.65	46	100
mm.		67.1	50.0	41.9	20.9	
in.	1/2	2.72	2.17	1.89	51	80
mm.		69.1	55.1	48.0	23.2	
in.	3/4	3.15	2.36	2.09	46	60
mm.		80.0	59.9	53.1	20.9	
in.	1	3.7	2.76	2.48	56	48
mm.		93.0	70.1	62.0	25.5	
in.	1 1/4	4.09	3.15	2.87	55	36
mm.		103.9	80.0	72.9	25.0	
in.	1 1/2	5	3.54	3.19	57	25
mm.		127.0	89.9	81.0	25.9	
in.	2	5.79	3.94	3.7	53	16
mm.		147.1	100.1	93.0	24.1	
in.	2 1/2	7.05	4.53	4.53	55	8
mm.		179.1	115.1	115.1	25.0	
in.	3	7.87	5.31	5.16	55	6
mm.		199.9	134.9	131.1	25.0	
in.	4	9.84	7.09	6.73	58	3
mm.		249.9	180.1	170.9	26.4	

NOTE: NOT INTENDED FOR USE IN A POTABLE WATER
SYSTEM - COMPLIANT STATEMENT

PROP 65, STATE OF CALIFORNIA