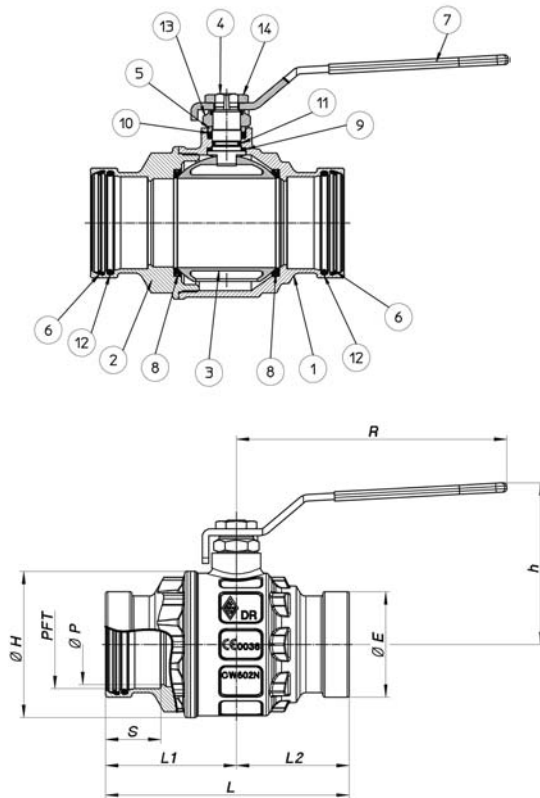


# K-PRESS, FORGED BRASS BALL VALVE PRESS FIT

Two Piece Body • Full Port • Chrome Plated Ball • Blowout Proof Stem  
PTFE Seats • Adjustable Stem Packing

CODE # 101XLC



## VALVE FEATURES

Full port ball valve with PRESS connections from 2", 1/2" - 4", steel handle, yellow grip.

- 300 WOG† body rating with 200 WOG press fit rating.
- Temperature to 250°F.
- Blow out proof stem, chrome plated brass ball.
- PTFE seats, seals and thrust washer.
- Recommended for service in the full open or full closed position.
- Adjustable stem packing.
- 100% tested in the open and closed position at 80 PSI.

†Valves shall not be used at pressures exceeding the press fit rating

## MATERIAL LIST

NO.	NAME OF PART	SPECIFICATION
1	BODY	BRASS CW 602N
2	END CONNECTION	BRASS CW 602N
3	BALL	BRASS CB 763-S
4	STEM	BRASS CW 614N
5	PACKING GLAND	BRASS CW 614N
6	COMPRESSION RING	STEEL
7	HANDLE	STEEL
8	BALL SEAT	PTFE
9	STEM SEAL/THRUST WASHER	PTFE
10	STEM SEAL	PTFE
11	O-RING	NBR
12	O-RING	EPDM
13	NUT	STEEL CL 04
14	NUT	STEEL CL 04

## DIMENSIONS • WEIGHTS • QUANTITIES

	PFT	ØP	S	ØH	ØE	L	L1	L2	h	R	Lbs.
in.	2 1/2	2.40	1.65	4.37	3.15	730.00	3.94	3.39	5.08	8.07	9.04
mm.		61.0	41.9	111.0	80.0	18542.0	100.1	86.1	129.0	205.0	
in.	3	2.87	1.91	5.35	3.66	8.60	4.63	4.00	5.51	8.07	14.55
mm.		72.9	48.5	135.9	93.0	218.4	117.6	101.6	140.0	205.0	
in.	4	3.82	2.42	6.54	4.69	10.26	5.30	4.98	6.30	10.24	22.49
mm.		97.0	61.5	166.1	119.1	260.6	1.4	126.5	160.0	260.1	