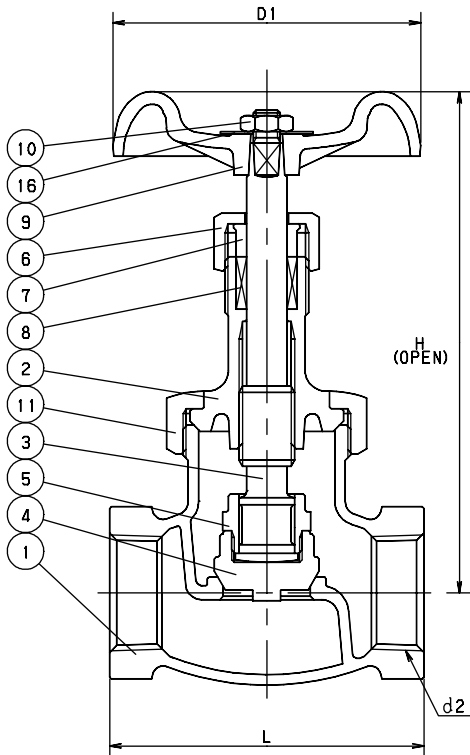


GLOBE

CLASS 300 BRONZE

Union Bonnet • Inside Screw • Rising Stem
Integral Seat • Bronze Disc

CODE # 17 (AK300J) THREADED



STANDARDS

END TO END	KITZ
THREADED ENDS	ANSI B1.20.1
DESIGN	MSS SP-80, TYPE 1
MILITARY	MSS SP-80, TYPE 1

PRESSURE/TEMPERATURE

300 PSI - SATURATED STEAM TO 421°F - FLUID TO 550°F
600 PSI NON-SHOCK COLD WATER, OIL OR GAS

MATERIAL LIST

NO.	NAME OF PART	SPECIFICATION
1	BODY	CAST BRONZE (ASTM B61)
2	BONNET	CAST BRONZE (ASTM B61)
3	STEM	CAST BRONZE (ASTM B62)
4	DISC	CAST BRONZE (ASTM B61)
5	LOCK NUT	BRASS ROD (B16)
6	PACKING NUT	FORGED BRASS (B283, C37700)
7	GLAND	BRASS ROD (B16)
8	GLAND PACKING	FLEXIBLE GRAPHITE & ALUM.
9	HAND WHEEL (1/4 - 3/8)	ZINC DIE-CAST (B86)
	(1/2 - 2)	ALUMINUM DIE-CAST (B85)
10	WHEEL NUT	BRASS ROD (B16)
11	BONNET RING	CAST BRONZE (B61)
16	NAME PLATE	ALUMINUM

DIMENSIONS - WEIGHTS - QUANTITIES

d2 SIZE	H	D1	L	APPROX. NET WT.	CARTON QTY
1/4	4.45	2.36	2.09	1.00	48
3/8	4.45	2.36	2.17	1.04	48
1/2	4.96	3.15	2.52	1.31	36
3/4	5.47	3.54	3.07	1.96	24
1	6.26	3.94	3.54	2.94	16
1 1/4	7.36	4.53	4.13	5.00	12
1 1/2	7.68	5.31	4.72	6.38	8
2	8.82	6.10	5.71	10.25	4