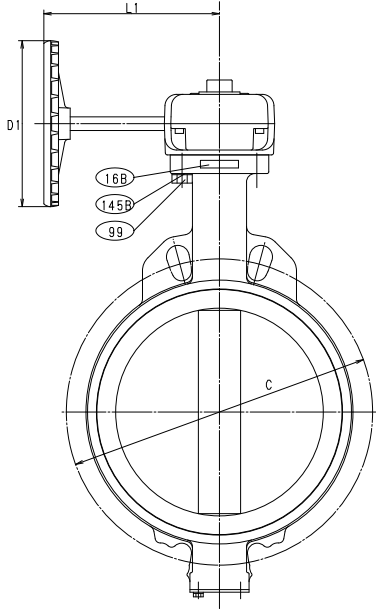


# BUTTERFLY VALVES - 250 PSI\*

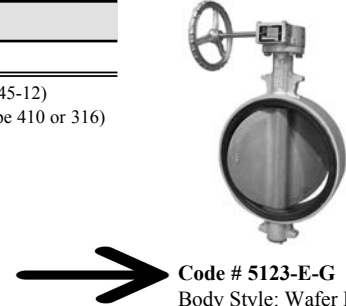
Lug & Wafer Design • Ductile Iron Body • Extended Neck  
Bi-Directional • Molded Seat • ISO Mounting Pad • Gear Operator  
**SIZE 10" - 12"**

DESIGN STANDARDS: MSS SP-67 & API-609 Cat. A END CONNECTION: ANSI CL. 125/150 FLANGES WALL THICKNESS: KITZ STD

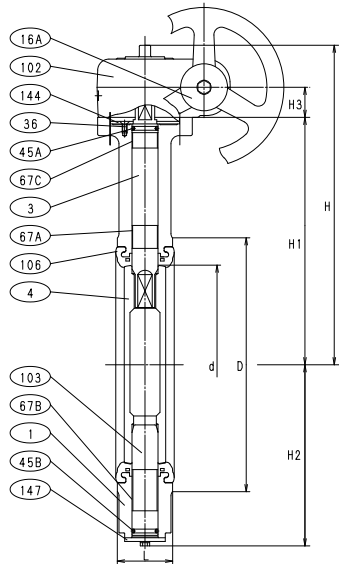


MATERIAL LIST		
NO.	NAME OF PART	SPECIFICATION
1	BODY	DUCTILE IRON (A536 Gr. 65-45-12)
3	STEM*	STAINLESS STEEL (A276, Type 410 or 316)
4	DISC	ALUMINUM BRONZE
16A/B	NAME PLATE	ALUMINUM
35	END PLATE BOLTS	CARBON STEEL
36	GLAND PLATE BOLT	STAINLESS STEEL
45A/B	O-RING	EPDM
60	KEY (12")	CARBON STEEL
67A/B/C	STEM BEARING	G/F PTFE
99	SET BOLTS	CARBON STEEL
102	GEAR UNIT	
103	BOTTOM STEM*	STAINLESS STEEL (A276, TYPE 410 or 316)
106	SEAT RUBBER (2)	EPDM
144	GLAND PLATE	CARBON STEEL
145A/B	SPRING WASHER	CARBON STEEL
147	END PLATE	CARBON STEEL

- (1) Line scribed on top of the stem indicates the disc direction.  
(2) Vulcanized to the Body



Code # 5123-E-G  
Body Style: Wafer Design  
Disc: Aluminum Bronze  
Liner: EPDM  
Operator: Gear Operator

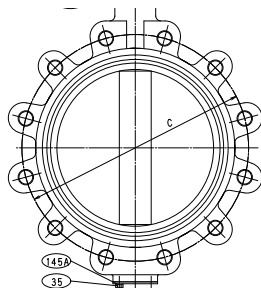


DIMENSIONS											Wafer	Lug
SIZE	d	D	C	H	H1	H2	L	D1	L1		Lbs Kgs.	Lbs. Kgs.
in. 10	9.72	12.28	14.25	15	11.97	8.62	2.69	6.69	7.09		59.5	81
mm 250	247	312	362	381	304	219	68.3	170	180		27.0	37.0
in. 12	11.65	14.33	17.00	15.98	12.95	9.61	3.06	6.69	7.09		77.2	106.6
mm 300	296	364	432	406	329	244	77.7	170	180		35.0	48.0

For gear operator details, refer to page 20.

### NOTE:

KITZ lug style butterfly valves are rated for bi-directional dead end service to full working pressure of the valve with the downstream flange removed. In dead end service exceeding 96 hours, a downstream flange is recommended.



Code # 6123-E-G  
Body Style: Lug Design  
Disc: Aluminum Bronze  
Liner: EPDM  
Operator: Gear Operator