

FORGED BRASS BALL VALVE

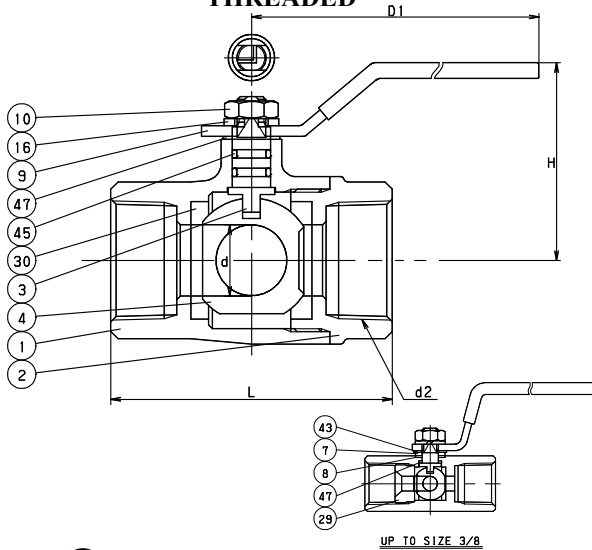
THREE WAY

Two Piece Body • Maintenance Free Double O-Ring Stem Seals • L-Port Design
 Chrome Plated Ball • PTFE Seats • Blowout Proof Stem

CODE # 54 (AKTN)

1/4" - 3/8" / 2 1/2" - 3"

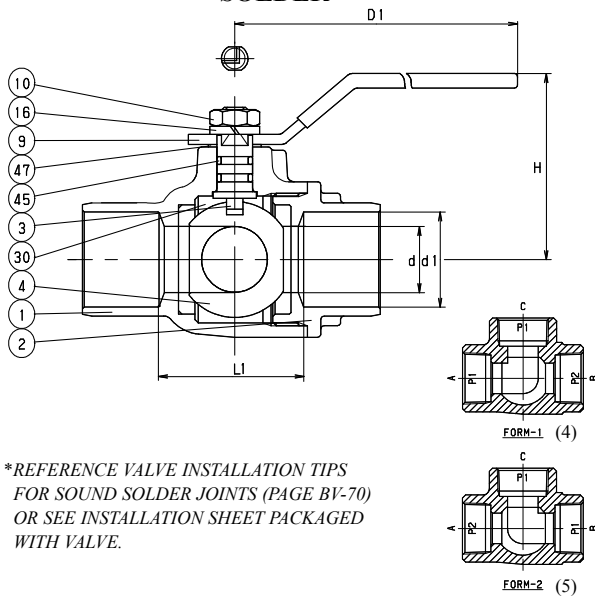
THREADED



CODE # 55 (CTN)

1 1/4" - 2"

SOLDER*



*REFERENCE VALVE INSTALLATION TIPS
 FOR SOUND SOLDER JOINTS (PAGE BV-70)
 OR SEE INSTALLATION SHEET PACKAGED
 WITH VALVE.

SPECIFICATION

Approved valve shall have three way two piece forged brass body, blowout proof stem, PTFE seats, maintenance free double o-ring stem seals, chrome plated ball, and L-port design. Valves shall be pressure rated to 150 PSI @ 300°F/400 WOG.

KITZ Code No. 54 (AKTN) Threaded Ends
 55 (CTN) Soldered Ends

STANDARDS

END TO END	KITZ
THREADED ENDS	ANSI B1.20.1
SOLDER JOINT ENDS	ANSI B16.18
WALL THICKNESS	KITZ

PRESSURE/TEMPERATURE

150 PSI @ 300° F
 400 PSI NON-SHOCK COLD WATER, OIL OR GAS

NOTE: PRESSURE/TEMPERATURE CHART - PAGE BV-35

MATERIAL LIST

NO.	NAME OF PART	SPECIFICATION
1	BODY (2 1/2" - 3")	FORGED BRASS (B283, C37700) CAST BRONZE
2	BODY CAP	FORGED BRASS (B283, C37700)
3	STEM	(1) SPECIAL BRASS (KITZ, K-METAL)
4	BALL	(2) FORGED BRASS (B283, C37700)
7	GLAND	STAINLESS STEEL (A276, TYPE 430)
8	GLAND PACKING	G/F PTFE
9	HANDLE	(3) STAINLESS STEEL
10	HANDLE NUT	CARBON STEEL
16	WASHER	CARBON STEEL
29	INSERT	FORGED BRASS (B124, C37700)
30	BALL SEAT	PTFE
43	SPRING	STAINLESS STEEL (A276, TYPE 304)
45	O-RINGS	FPM
47	THRUST WASHER (1/4" - 3/8") (1 1/4" - 3")	REINFORCED PTFE POM

NOTES: (1) PROPRIETARY DEZINCIFICATION RESISTANT MATERIAL

(2) CR. PLATING

(3) WITH PLASTIC COVERING

(4) FLOW IS FACILITATED BETWEEN "A" & "C" AFTER EXTENDED USE, PORT "B" MAY LEAK SLIGHTLY TO PORT "A" & "C" IF PRESSURE IN P2 IS HIGHER THAN P1.

(5) FLOW IS FACILITATED BETWEEN "C" & "B" AFTER EXTENDED USE, PORT "A" MAY LEAK SLIGHTLY TO PORT "B" & "C", IF PRESSURE IN P2 IS HIGHER THAN P1

DIMENSIONS • WEIGHTS • QUANTITIES

	d2 SIZE	d	H	D1	L	L1	d1		APPROX. NET WT.	CARTON QTY
							Max.	Min.		
in.	1/4	0.18	1.18	2.36	1.57	-	-	-	22	120
mm.		4.6	29.0	59.9	39.9	-	-	-	10.0	
in.	3/8	0.27	1.77	3.15	1.81	-	-	-	44	120
mm.		6.9	44.0	80.0	45.0	-	-	-	20.0	
in.	1 1/4	0.98	2.36	5.12	-	1.99	1.132	1.128	67	24
mm.		24.9	59.9	130.0	-	50.5	28.8	28.7	30.5	
in.	1 1/2	1.26	2.56	5.12	-	2.32	1.382	1.378	62	16
mm.		32.0	65.0	130.0	-	58.9	35.1	35.0	28.2	
in.	2	1.57	2.95	5.9	-	2.81	1.633	1.628	72	12
mm.		39.9	74.9	149.9	-	71.4	41.5	41.4	32.7	
in.	2 1/2	1.97	3.58	7.87	5.43	-	-	-	71	6
mm.		50.0	90.9	199.9	137.9	-	-	-	32.3	
in.	3	2.56	4.13	11.81	6.54	-	-	-	74	4
mm.		65.0	104.9	299.0	166.1	-	-	-	33.6	