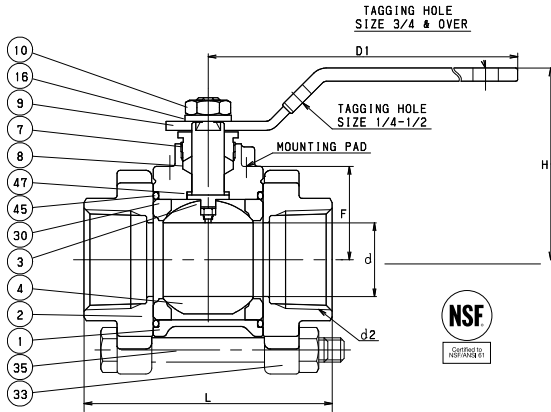


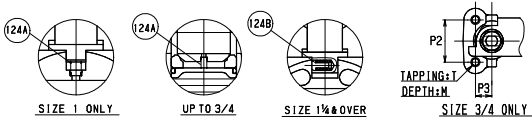
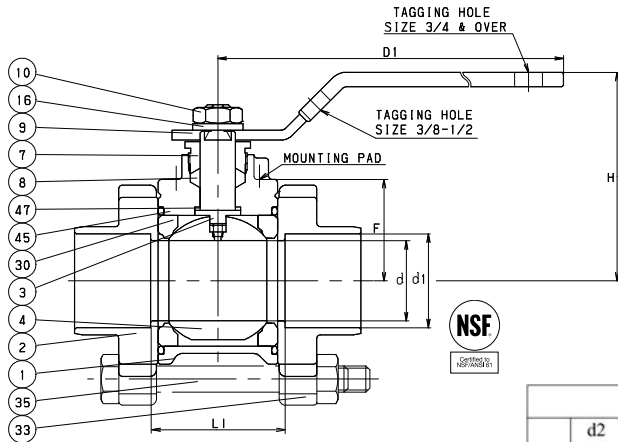
FORGED BRASS BALL VALVE

Three Piece Body with Mounting Pad • Full Port
 Blowout Proof Stem • Stainless Steel Ball & Stem • PTFE Seats
 NSF (2)

➔ **CODE # 62M (AK3TMM)**
THREADED



CODE # 63M (C3TMM)
SOLDER*



*REFERENCE VALVE INSTALLATION TIPS FOR SOUND SOLDER JOINTS (PAGE BV-70) OR SEE INSTALLATION SHEET PACKAGED WITH VALVE.

SPECIFICATION

Approved valve shall have three piece forged brass body with mounting pad, blowout proof stem, PTFE seats, stainless steel ball and stem, and full port design. Valves shall be pressure rated to 150 WSP/600 WOG and conform to MSS-SP 110.

CERTIFICATIONS:
 NSF/ANSI STANDARDS 61-8, C-HOT (180°F/82°C)

STANDARDS	
END TO END	KITZ
THREADED ENDS	ASME B1.20.1
SOLDER ENDS	ASME B16.18
WALL THICKNESS	KITZ
CONFORMS TO MSS-SP 110	

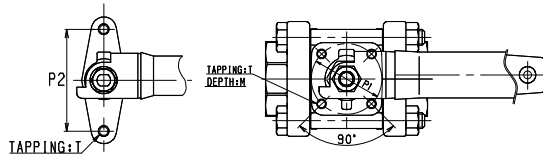
PRESSURE/TEMPERATURE	
150 PSI - SATURATED STEAM TO 366°F	
600 PSI NON-SHOCK COLD WATER, OIL OR GAS	

NOTE: PRESSURE/TEMPERATURE CHART - PAGE BV-35

MATERIAL LIST		
NO.	NAME OF PART	SPECIFICATION
1	BODY	FORGED BRASS (B283, C37700)
2	CAP	FORGED BRASS (B283, C37700)
3	STEM	STAINLESS STEEL (A276, TYPE 316)
4	BALL (Vented)	STAINLESS STEEL (A276, TYPE 316)
		or A351 Gr. CF8M)
7	GLAND	BRASS ROD (B16)
8	GLAND PACKING	PTFE
9	HANDLE	(1) CARBON STEEL
10	HANDLE NUT	CARBON STEEL
16	SPRING WASHER	CARBON STEEL
30	BALL SEAT	PTFE
33	CAP NUT	CARBON STEEL (A307 Gr. B)
35	CAP BOLT	CARBON STEEL (A307 Gr. B)
45	O-RING	FPM
47	THRUST WASHER	REINFORCED PTFE
124A	SPRING (1/4" - 1")	STAINLESS STEEL (A313, TYPE 316)
124B	SPRING & PIN (1 1/4" - 2")	STAINLESS STEEL (A313 & A276, TYPE 316)

NOTES: (1) ELECTROPLATED ZINC WITH PLASTIC COVERING
 (2) NSF/ANSI STANDARDS 61-8, C-HOT (180°F/82°C)

DIMENSIONS • WEIGHTS • QUANTITIES															
	d2 SIZE	d	H	D1	L	L1	L2	P1/P	P2	P3	F	d1		APPROX. NET WT.	CARTON QTY
												Max.	Min.		
in.	1/4	0.39	1.54	3.23	1.93	0.96	1.1	-	1.77	-	0.75	-	-	42	60
mm.	1/4	9.9	39.1	82.0	49.0	24.4	27.9	-	44.0	-	19.1	-	-	19.1	
in.	3/8	0.39	1.54	3.23	1.93	0.96	1.1	-	1.77	-	0.75	.506	.502	42	60
mm.	3/8	9.9	39.1	82.0	49.0	24.4	27.9	-	44.0	-	19.1	12.9	12.8	19.1	
in.	1/2	0.59	1.89	3.23	2.4	1.2	-	-	1.77	-	0.98	.631	.627	36	36
mm.	1/2	14.0	48.0	82.0	60.0	30.5	-	-	44.0	-	24.9	16.0	15.9	16.4	
in.	3/4	0.79	2.17	3.94	2.76	1.38	1.39	-	0.87	0.33	1.02	.881	.877	24	24
mm.	3/4	20.1	55.1	100.1	70.1	35.1	35.3	-	22.1	8.4	25.9	22.4	22.3	10.9	
in.	1	0.98	2.48	5.12	3.27	1.63	-	1.42	-	-	1.22	1.132	1.128	32	16
mm.	1	24.9	62.0	130.0	83.1	41.4	-	36.1	-	-	30.0	28.8	28.7	14.5	
in.	1 1/4	1.26	2.72	5.12	3.9	1.95	-	1.42	-	-	1.46	1.382	1.378	32	8
mm.	1 1/4	32.0	69.1	130.0	99.1	49.5	-	36.1	-	-	37.1	35.1	35.0	14.5	
in.	1 1/2	1.57	3.07	5.91	4.61	2.3	2.3	-	1.42	-	1.77	1.633	1.628	42	6
mm.	1 1/2	39.9	77.0	150.1	117.1	58.4	58.4	-	36.1	-	44.0	41.5	41.4	19.1	
in.	2	1.97	3.35	5.91	5.47	2.74	-	1.42	-	-	2.05	2.133	2.128	44	4
mm.	2	50.0	85.1	150.1	138.9	69.6	-	36.1	-	-	52.1	54.2	54.1	20.0	



T - 10-24 UNC (1/4" - 3/4")
 M5 (1" - 2")
 M - .21 (1/4", 3/8")
 .22 (1/2")
 .39 (3/4" - 2")