

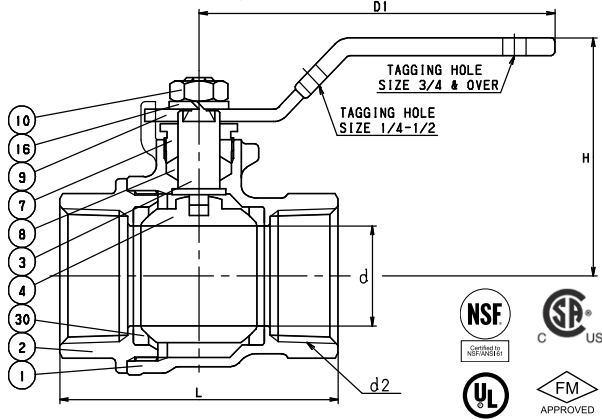
FORGED BRASS/CAST BRONZE BALL VALVE

Two Piece Body • Full Port
 Blowout Proof Stem • Chrome Plated / Vented Ball • PTFE Seats and Seals
 NSF • CSA (US/C) • UL • FM

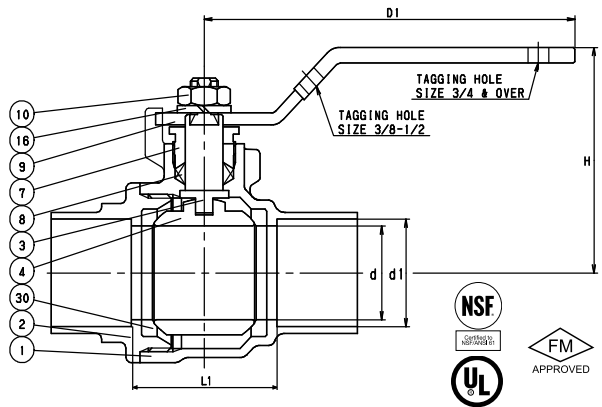


CODE # 68 (AKTAF) THREADED (1/4" - 2")

For larger sizes see P. BV-15



CODE # 69 (CTAF) SOLDER* (3/8" - 3") UL • FM



*REFERENCE VALVE INSTALLATION TIPS FOR SOUND SOLDER JOINTS (PAGE BV-70) OR SEE INSTALLATION SHEET PACKAGED WITH VALVE.

SPECIFICATION

Approved valve shall have two piece forged brass or cast bronze body, blowout proof stem, PTFE seats/seals, vented chrome plated ball and full port design. Valves sizes 1/4" - 2" shall be pressure rated to 150 WSP/600 WOG, conform to MSS-SP 110 and certified to NSF, CSA, UL & FM. Valve sizes 2 1/2" - 3" shall be pressure rated to 150 WSP/400 WOG and conform to MSS-SP 110.

KITZ Code No. 68 (AKTAF) Threaded Ends
 69 (CTAF) Solder Ends

CERTIFICATIONS:

- NSF/ANSI STANDARDS 61-8, C-HOT (180°F/82°C)
- CSA (US/C) -40°C~65°C (-40°F~149°F)
- CGA 9.1b-2001/ANSI 21.15b-2006 - .5 PSI
- CGA CR 91-002 - 2 PSI
- ASME B16.44 - 5 PSI
- CAN/CGA 3.16-M88 - 125 PSI
- ASME B16.33-2002 - 125 PSI
- UL-125, -258, -842, -1769
- FM-1140 - 175 WWP (Fire Protection Systems)

STANDARDS

END TO END	KITZ
THREADED ENDS	ANSI B1.20.1
SOLDER JOINT ENDS	ANSI B16.18
WALL THICKNESS	KITZ
CONFORMS TO MSS-SP 110 - REPLACES US. FED.	
SPEC. WWW-V-35B, TYPE II, CLASS A, STYLE 3	

PRESSURE/TEMPERATURE

150 PSI - SATURATED STEAM TO 366°F
600 PSI NON-SHOCK COLD WATER, OIL OR GAS (1/4" - 2")
400 PSI NON-SHOCK COLD WATER, OIL OR GAS (2 1/4", 3")

NOTE: PRESSURE/TEMPERATURE CHART - PAGE BV-35

MATERIAL LIST

NO.	NAME OF PART	SPECIFICATION
1	BODY (1/4" - 3") (2 1/2" - 3")	FORGED BRASS (B283, C37700) CAST BRONZE (B584, C84400)
2	BODY CAP (1/4" - 2") (2 1/2" - 3")	FORGED BRASS (B283, C37700) CAST BRONZE (B584, C84400)
3	STEM	(1) SPECIAL BRASS (KITZ, "K-METAL")
4	BALL (Vented) (1/4" - 2") (2 1/2" - 3")	(2) FORGED BRASS (B283, C37700) CAST BRONZE (B584, C84400)
7	GLAND	BRASS ROD (B16)
8	GLAND PACKING	PTFE
9	HANDLE	(3) CARBON STEEL
10	HANDLE NUT (1/4" - 2 1/2")	CARBON STEEL
16	SPRING WASHER	CARBON STEEL
16A	WASHER (3")	CARBON STEEL
30	BALL SEATS	PTFE
123	HANDLE BOLT (3")	CARBON STEEL

NOTES: (1) PROPRIETARY DEZINCIFICATION RESISTANT MATERIAL.
 (2) CR. PLATING
 (3) ELECTROPLATED ZINC WITH PLASTIC COVERING

DIMENSIONS • WEIGHTS • QUANTITIES

	d2 SIZE	d	H	D1	L	L1	d1		APPROX. NET WT.	CARTON QTY
							Max.	Min.		
in.	1/4	0.39	1.54	3.23	1.61	-	-	-	48	120
mm.		9.9	39.1	82.0	40.9	-	-	-	21.8	
in.	3/8	0.39	1.54	3.23	1.65	1.05	.506	.502	48	120
mm.		9.9	39.1	82.0	41.9	26.7	12.852	12.751	21.8	
in.	1/2	0.59	1.65	3.23	2.09	1.13	.631	.627	52	96
mm.		14.0	41.9	82.0	53.1	28.7	16.027	15.926	23.6	
in.	3/4	0.79	2.01	3.94	2.36	1.37	.881	.877	50	60
mm.		20.1	51.1	100.1	59.9	34.8	22.4	22.3	22.7	
in.	1	0.98	2.32	5.12	2.83	1.64	1.132	1.128	51	36
mm.		24.9	58.9	130.0	71.9	41.7	28.8	28.7	23.2	
in.	1 1/4	1.26	2.52	5.12	3.23	2	1.382	1.378	50	24
mm.		32.0	64.0	130.0	82.0	50.8	35.1	35.0	22.7	
in.	1 1/2	1.57	2.87	5.91	3.62	2.35	1.633	1.628	54	16
mm.		39.9	72.9	150.1	91.9	59.7	41.5	41.4	24.5	
in.	2	1.97	3.15	5.91	4.13	2.83	2.133	2.128	72	16
mm.		50.0	80.0	150.1	104.9	71.9	54.2	54.1	32.7	
in.	2 1/2	2.56	4.25	7.78	-	3.48	2.633	2.628	17	2
mm.		65.0	107.0	197.6	-	88.4	66.9	66.8	7.7	
in.	3	2.99	4.8	11.81	-	4.04	3.113	3.128	26	2
mm.		75.9	121.9	299.0	-	102.6	79.1	79.5	11.8	

FORGED BRASS/CAST BRONZE BALL VALVES