

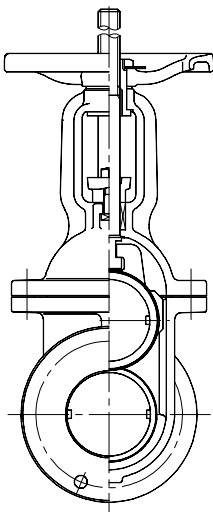
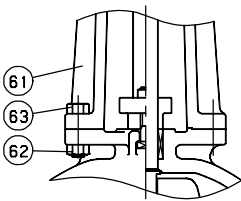
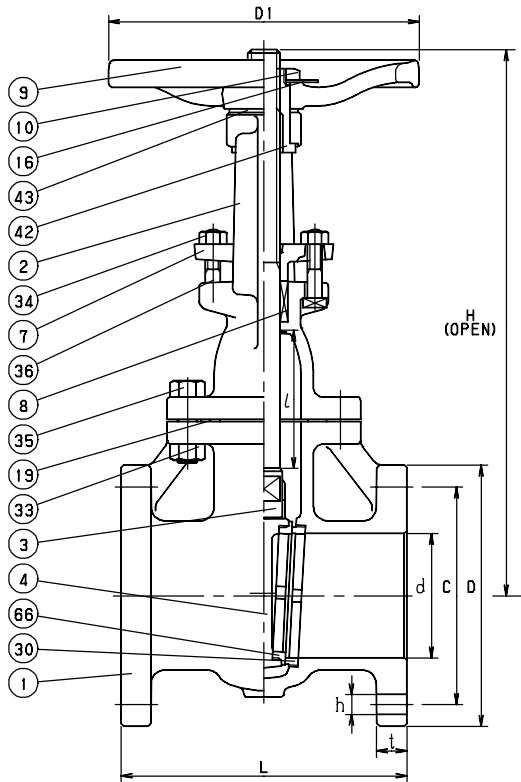
GATE

CLASS 125 CAST IRON

Outside Screw & Yoke • Bolted Bonnet
Bronze Mounted • Solid Wedge Disc

CAST IRON GATE

CODE # 72 (125FCL)



STANDARDS	
END TO END	ANSI B16.10, CLASS 125
END CONNECTION	ANSI B16.1, CLASS 125
DESIGN	MSS SP-70, TYPE I
MILITARY	MSS SP-70, TYPE I

PRESSURE/TEMPERATURE	
125 PSI - SATURATED STEAM TO 353°F - FLUID TO 406°F	
200 PSI NON-SHOCK COLD WATER, OIL OR GAS	
150 PSI NON-SHOCK COLD WATER, OIL OR GAS (14" only)	

MATERIAL LIST		
---------------	--	--

NO.	NAME OF PART	SPECIFICATION
1	BODY	CAST IRON (A126 CLASS B)
2	BONNET	CAST IRON (A126 CLASS B)
3	STEM	FORGED BRASS (B124, C37700)
4	DISC	CAST IRON (A126 CLASS B)
7	GLAND	DUCTILE IRON (A395)
8	GLAND PACKING	NON-ASBESTOS PACKING
9	HAND WHEEL (2 - 10)	CAST IRON (A126 CLASS B)
	(12 - 14)	DUCTILE IRON (A536)
10	WHEEL NUT	CARBON STEEL (A307 Gr. B)
16	NAME PLATE	ALUMINUM
19	GASKET	NON ASBESTOS SHEET
30	BODY SEAT RING	CAST BRONZE (B62)
33	BONNET NUT	CARBON STEEL (A307 Gr. B)
34	GLAND NUT	CARBON STEEL (A307 Gr. B)
35	BONNET BOLT	CARBON STEEL (A307 Gr. B)
36	GLAND BOLT	CARBON STEEL (A307 Gr. B)
42	YOKE SLEEVE	CAST BRONZE (B62)
43	WHEEL WASHER	CAST BRONZE (B62)
61	YOKE (10-14)	CAST IRON (A126 CLASS B)
62	YOKE NUT (10-14)	CARBON STEEL (A307 Gr. B)
63	YOKE BOLT (10-14)	CARBON STEEL (A307 Gr. B)
66	DISC SEAT RING	CAST BRONZE (B62)

DIMENSIONS - WEIGHTS - QUANTITIES												
d2 SIZE	d	H	D1	L	l	D	BOLT C	HOLE No.	BOLT h	BOLT SIZE	t	APPROX. NET WT.
2	1.97	12.91	6.30	7.00	2.28	6.00	4.75	4	.75	5/8	.62	33
2½	2.56	15.04	6.69	7.50	2.87	7.00	5.50	4	.75	5/8	.69	43
3	3.15	17.17	6.69	8.00	3.50	7.50	6.00	4	.75	5/8	.75	53
4	3.94	20.94	8.86	9.00	4.29	9.00	7.50	8	.75	5/8	.94	81
5	4.92	24.69	8.86	10.00	5.35	10.00	8.50	8	.88	3/4	.94	116
6	5.91	28.58	9.84	10.50	6.34	11.00	9.50	8	.88	3/4	1.00	157
8	7.87	36.18	11.02	11.50	8.39	13.50	11.75	8	.88	3/4	1.12	244
10	9.84	44.65	13.78	13.00	10.43	16.00	14.25	12	1.00	7/8	1.19	394
12	11.81	53.66	17.72	14.00	12.36	19.00	17.00	12	1.00	7/8	1.25	541
14	13.39	61.40	19.69	15.00	14.17	21.00	18.75	12	1.12	1	1.38	755